



NAME: LED Flood Light

P/N: LF4506-50WXYA1-aaK

Note: aa in P/N represent CCT, can be 30,40,50

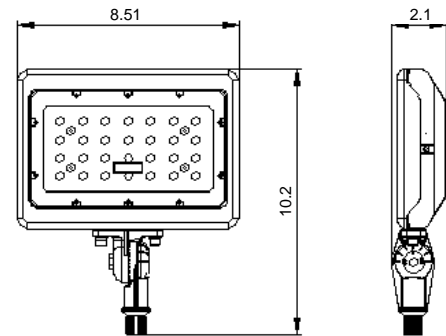
**Advantage:**

- UL cUL certificate
- Seoul Semiconductor Chip, high CRI
- Input voltage 100-277Vac
- No UV or IR in the beam
- Easy to install and operate
- Energy saving, Long lifespan
- Instant start, NO flickering, NO humming
- Green and eco-friendly without mercury.

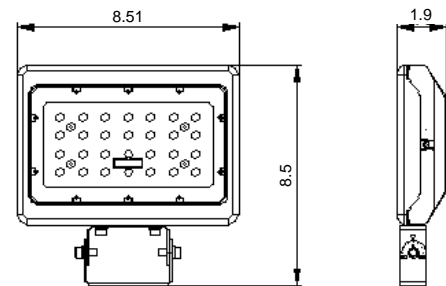
**Application:**

- ◆ Factory floor, libraries, square, park;
- ◆ Supermarkets, railway stations;
- ◆ Advertising lighting, etc.

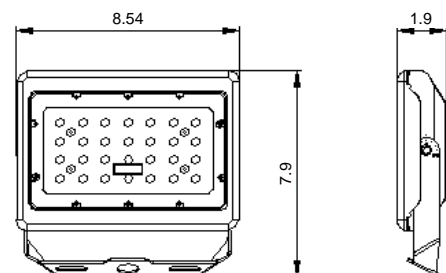
Type A



Type B



Type C



## Product Specifications

Product name	LED Flood Light
Part No	LF4506-50WXYA1-aaK
Dimension	Type A: 10.2*8.51*2.1 in.
	Type B: 8.5*8.51*1.9 in.
	Type C: 7.9*8.54*1.9 in.

## Technical Characteristic

Color temperature	3000K/4000K/5000K
CRI	>80
Lumen	5750-6250 LM
Input Power	50W
Beam Angle(10%)	150°
Beam Angle(50%)	110°
Input Voltage	100-277Vac 50/60Hz
Optional	Surge Protection Device
PF	>0.9
Waterproof Rating	WET (IP65)

## Materials

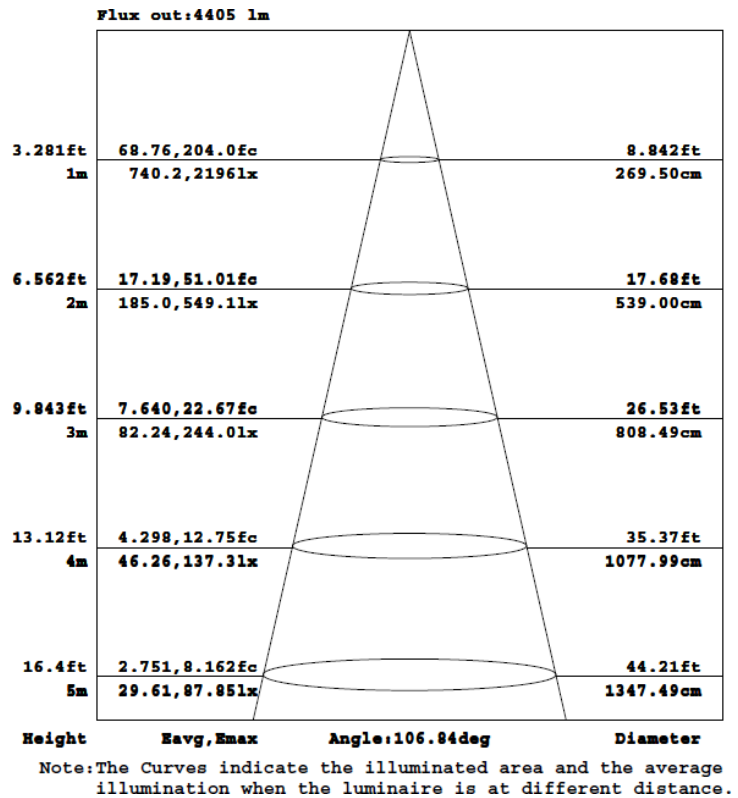
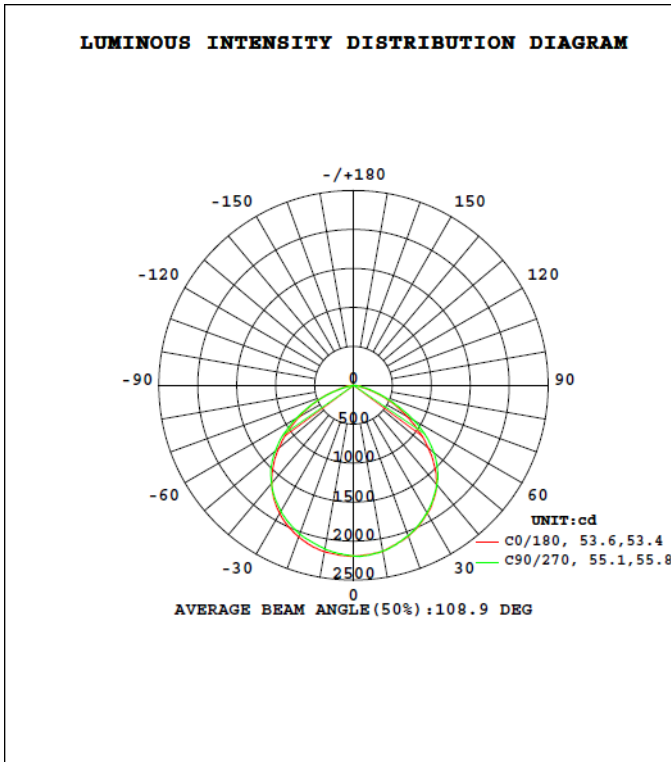
LED Brand	SEOUL SEMICONDUCTOR
LED Type	Acrich MJT- 3030
LED QTY	56PCS
Housing	Aluminum +PC+Steel
Housing color	Black、 Brown

## Others

Operating Temperature	-20°C TO 45°C
Operating Humidity	20%-90% RH
Storage Temperature	-30°C TO 80°C
Storage Humidity	10%-95%
Application	Outdoor / Indoor
Safety Certification	UL、 cUL
Warranty Time	5 Years

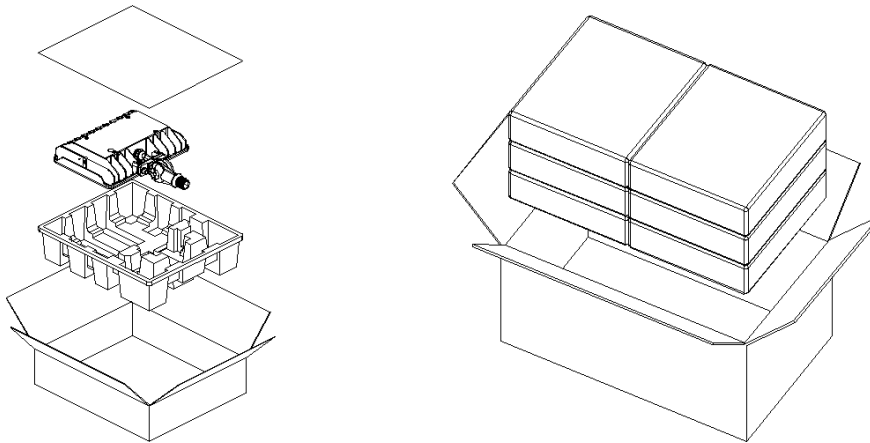
## Light Distribution Testing Parameters

DATA OF LAMP		PHOTOMETRIC DATA      Eff: 116.24 lm/W			
MODEL	LF4506-50WXYA1-aaK	Imax (cd)	2198	S/MH(C0/180)	1.29
NOMINAL POWER (W)	50	LOR (%)	100.0	S/MH(C90/270)	1.27
RATED VOLTAGE (V)	120	TOTAL FLUX (lm)	5763.0	η UP, DN (C0-180)	0.1, 50.3
NOMINAL FLUX (lm)	5763.0	CIE CLASS	DIRECT	η UP, DN (C180-360)	0.1, 49.5
LAMPS INSIDE	1	η up (%)	0.2	CIBSE SHR NOM	1.25
TEST VOLTAGE (V)	120.0	η down (%)	99.8	CIBSE SHR MAX	1.35



## Package

		Type A	Type B	Type C
Lamps Net Weight		3.62 lbs	3.62lbs	3.57 lbs.
Inner box	size	12.0*10.2*3.03in.		
	Qty/ Carton	1 PCS		
	Weight/ Carton	4.4 lbs.	4.4 lbs.	4.4 lbs.
Outer box	size	21.1*12.8*10.1in.		
	Qty/ Carton	6 PCS		
	Weight/ Carton	28.2 lbs.	28.2 lbs.	28.0 lbs.



## User Notice

- ◆ Please turn off power before installing or changing assembly parts.
- ◆ The input voltage and the lamp's should be matched. After connecting the power line, please make sure the wiring section is insulated.
- ◆ Non-professionals must not install or disassemble the lamps.

## Troubleshooting

Troubles	Check points
Flickering	Turn off the power and turn on again in 3 minutes. If same phenomena occur, then call your dealer
Not working	Please check the connection