



LED Trail  
 E-mail: [sales@ledtrail.com](mailto:sales@ledtrail.com)  
[www.ledtrail.com](http://www.ledtrail.com)

P/N: LTR-FL14-55WXYS A1-abcd

**Note:**

LTR= Company name;  
 FL14 = Product series, LED Flood Light;  
 55W = Rating Power;  
 "X" can be any alphabet for LED manufactory,  
 B=Lumileds;  
 "Y" can be any alphabet for diffuser type;  
 S=Single;  
 A1=120-277VAC;  
 "a" can be any two letters for lamp colors;  
 "b" can be "AM", "FM", "YM" for Mounting Means;  
 "c" can be "P" for photocontrol or blank for no photocontrol provided;  
 "d" can be any numbers for CCT.30=3000K, 40=4000K,50=5000K



**AM**



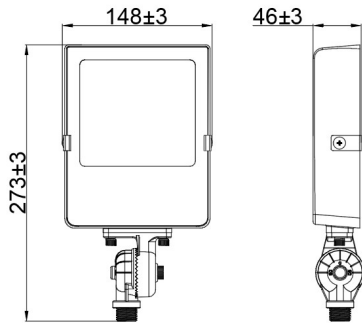
**YM**



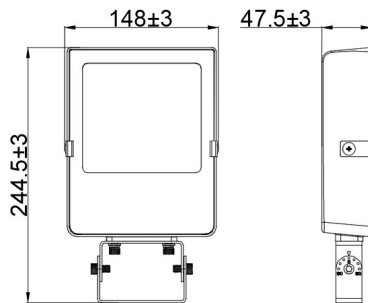
**FM**

**DIMENSIONS**

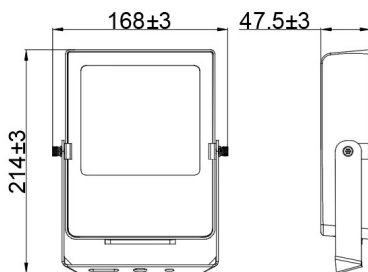
**AM**



**YM**



**FM**



**ADVANTAGE**

- UUL cUL certificate.
- Input voltage 120-277VAC
- No UV or IR in the beam.
- Easy to install and operate.
- Energy saving, long lifespan.
- Light is soft and uniform, safe to eyes.
- Instant start, NO flickering, NO humming.
- Green and eco-friendly without mercury.

**APPLICATION**

- Outdoor basketball court, tennis court.
- Badminton court, the football field.
- The school playground, stadium.
- Community leisure entertainment plaza,
- Warehouse, factory and workshops;
- Highway toll station;
- Meeting room, exhibition hall;
- Gymnasium and supermarkets, etc. plaza,
- Warehouse, factory and workshops;
- Highway toll station;
- Meeting room, exhibition hall;
- Gymnasium and supermarkets, etc.

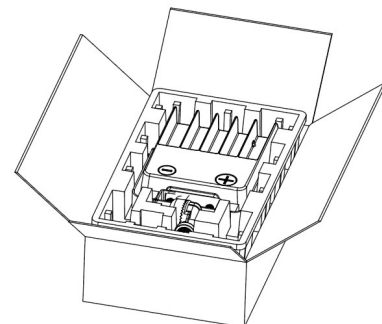
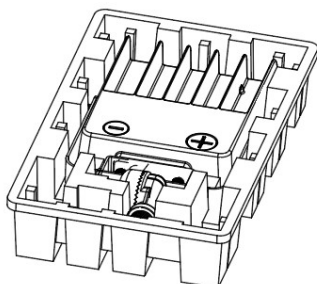
## SPECIFICATIONS

<b>OPTICAL</b>	Input Power (Tolerance : ±10%)	55W	
	Color Temperature	3000K-3500K	4000K-6500K
	Lumen (Tolerance : -10%)	6600-6875 LM	6875-7150 LM
	Efficacy (Tolerance : -3%)	120-125 LM/W	125-130LM/W
	CRI	>80	
	Color Consistency	<6 Steps (or <6 SDCM)	
	Distribution Pattern	Clear Tempered Glass	
	Beam Angle (50%) (Tolerance : ±15%)	110 Degree	
<b>ELECTRICAL</b>	Input Voltage and Frequency	120-277VAC 50/60Hz	
	PF (Tolerance : -3%)	≥0.9	
	THD (Tolerance : +5%)	≤20%	
	Flicker Percent	<70%	
	Driver Brand	HBE	
	Driver Model	HB-FL14-055G-52	
	Driver Surge protection	L/N-PE: 2.5kV, L-N: 2.5kV	
	Dimming	0-10V dimming standard	
	Optional Accessory	Photocontrol	
<b>MATERIALS</b>	LED Brand	Lumileds	
	LED Type	SMD2835	
	LED QTY	154 PCS*2	
	Housing	Die-cast aluminum	
	Housing Color	Brown, Black, or Customized	
	EPA	0.42 ft²	
	Waterproof Rating	WET (IP65)	
<b>OTHERS</b>	Operating Temperature	-40℃ TO 50℃	
	Storage Temperature	-40℃ TO 80℃	
	Operating Humidity	20% - 90% RH	
	Storage Humidity	10% - 95% RH	
	Warranty	5 years warranty with 24/7 operating hours Luminaire lifetime at 25℃.	

## PACKAGE

Bracket Type	Carton Size		Qty / Carton	Net Weight / Carton	Gross Weight / Carton
AM、YM、FM	Outer box	433*345*358mm	10pcs	13.1Kg	16.3Kg
	Inner box	208*65*338mm	1pcs	1.31Kg	1.54Kg

Tolerance of Carton Size: ±15 MM, Tolerance of Weight: ±10%.



## **NOTICE FOR USER**

- Please turn off power before install or change assembly parts.
- The input voltage and lamps should be matched, after connecting the power line, Please make sure the wiring section is insulated.
- No-professionals, must not install and disassemble the lamps.

## **TROUBLE SHOOTINGS**

<b>Troubles</b>	<b>Check points</b>
Flickering of the light	Turn off the power and turn on again in 3 minutes. If same phenomena occur, then call agencies.
Out of working	Please check the connection.