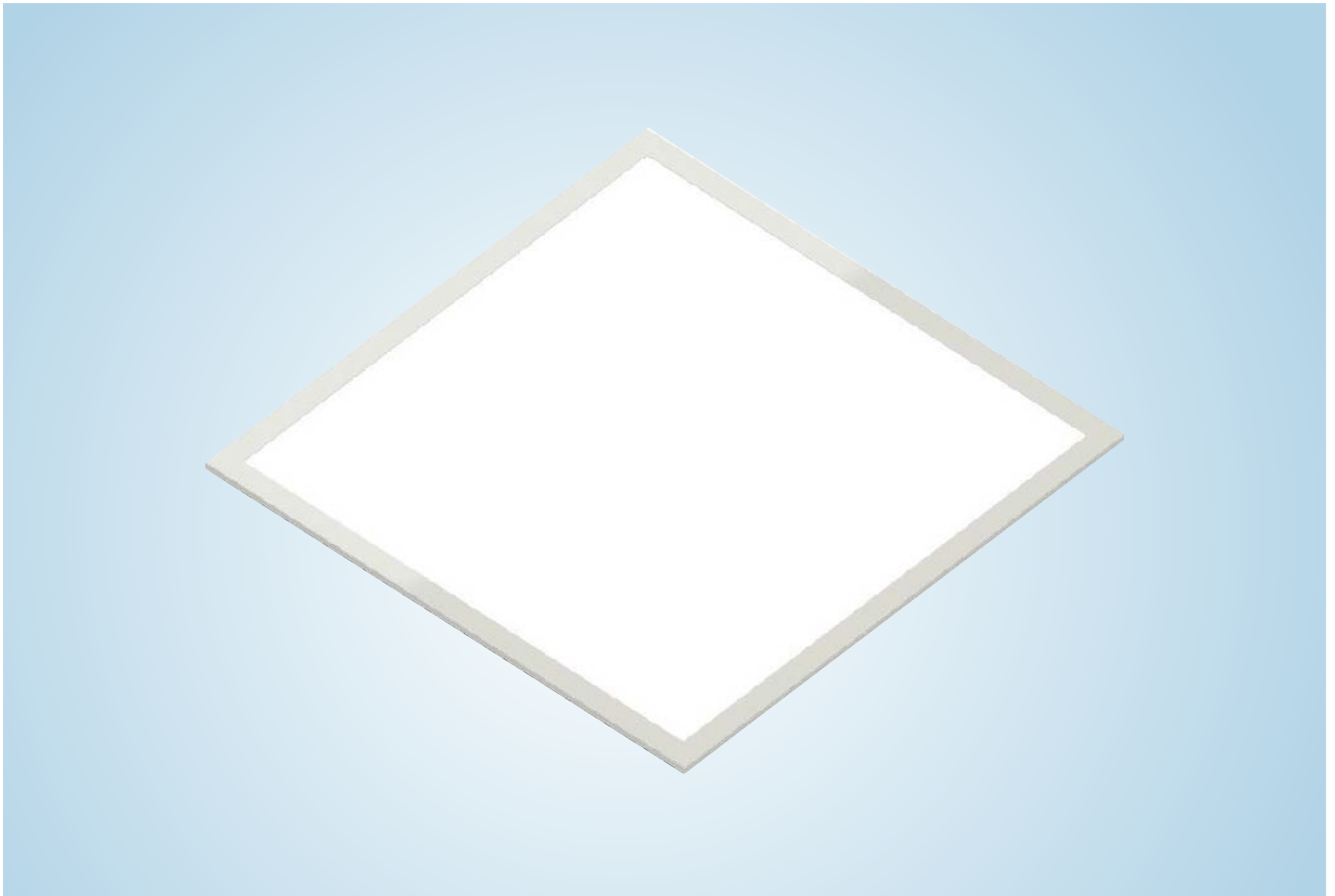


LED Back-lit Panel Light



Product Features

- 1.The panel light is mainly used in commercial lighting places, such as office, factory, supermarket and so on.
- 2.The panel light has uniform and soft luminance, high luminous efficacy, saving energy and protecting environment.
- 3.Using principle of back-lit, the panel light is extremely beautiful.
- 4.Using high quality material, with great heat dissipation and low light degradation.
- 5.Using high quality driver, efficiency>86%, PF>0.9.
- 6.Lifespan>50,000 hours.
- 7.0-10V dimming function dimming driver.
- 8.Dustproof: Zero distance between back cover and the frame protect against dust perfectly.
- 9.No yellowing problem of Light Guided Plate for this panel light.
- 10.Connect the AC wire and DC wire of the driver input separately.
- 11.CCT Adjustable range: 3500K-4000K-5000K.
- 12.Power Adjustable range;

Specification

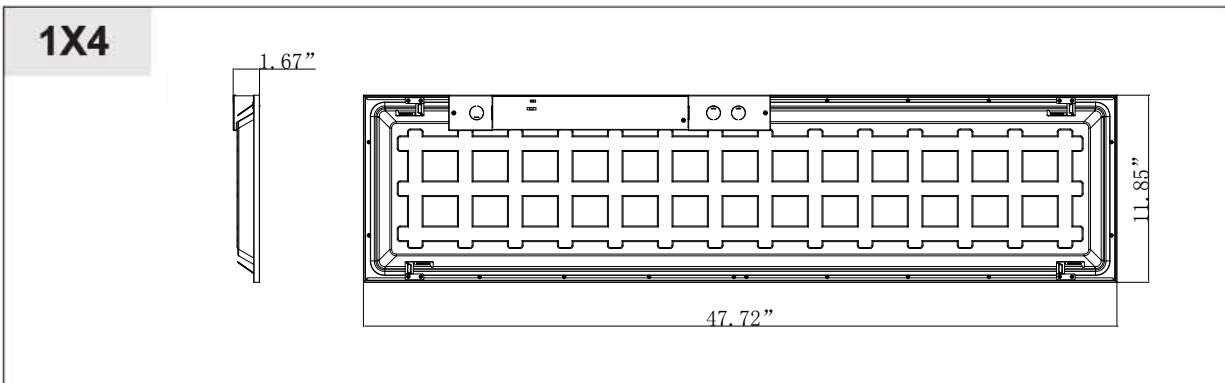
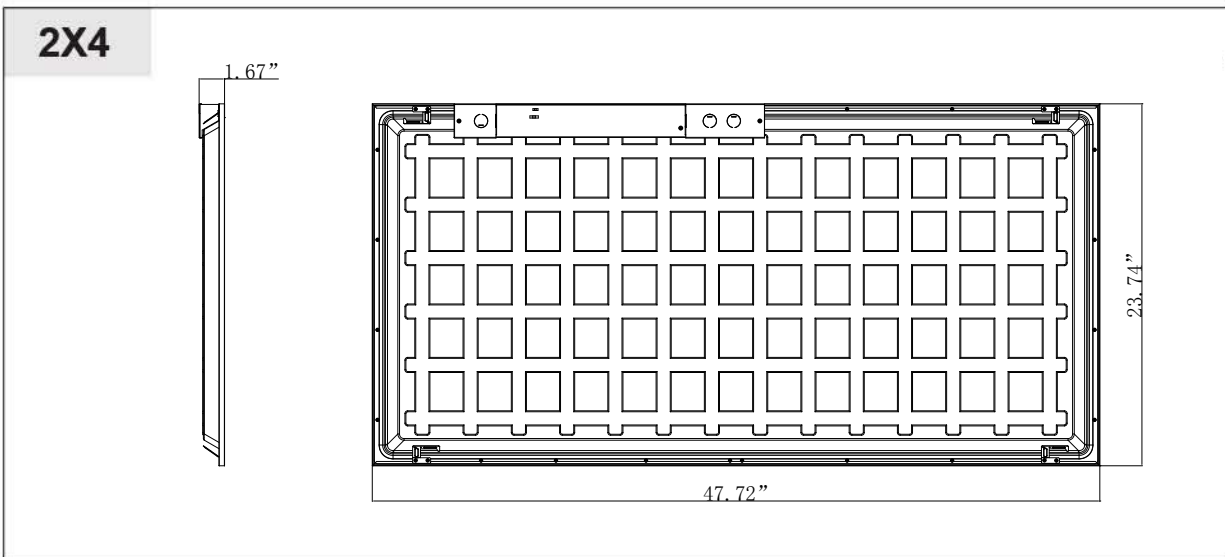
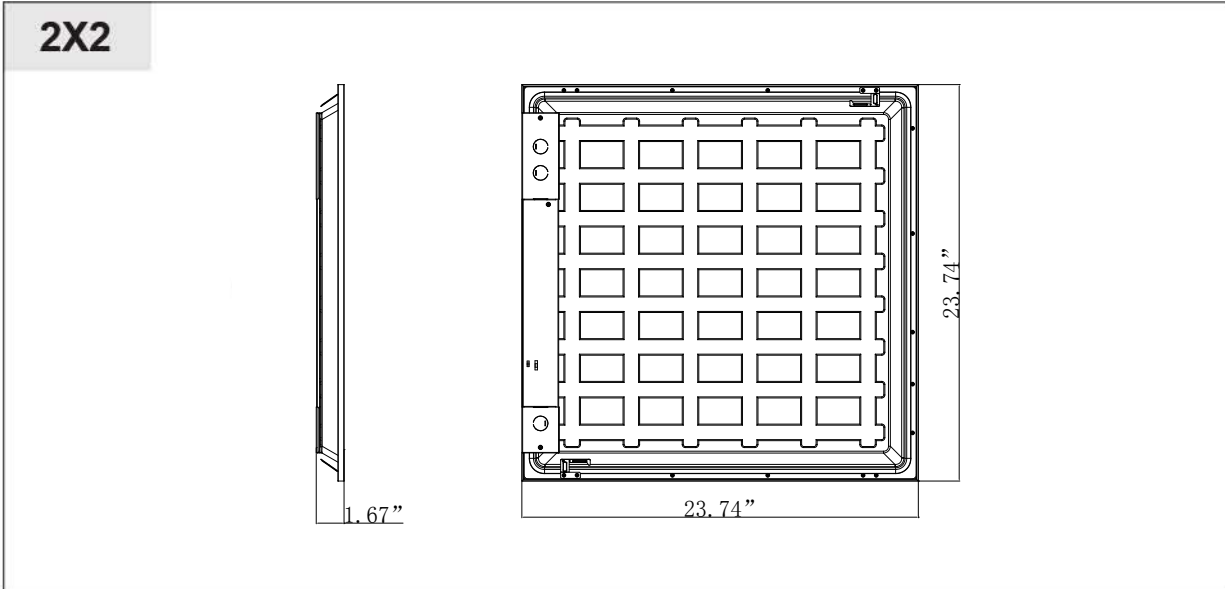
| Product Model | Power | Working Current | Input Voltage | Luminous Efficacy | CCT | Viewing Angle | Ra | Dimmable | Warranty |
|-------------------------------|-------------|-----------------|---------------|-------------------|-----------------------------------|---------------|-----|----------|----------|
| 6031BL-1212*603-xxW-S-TCP | 30W/35W/40W | 0.44A | AC100-277V | 110lm/W | 3500K 4000K 5000K | 120° | ≥80 | 0-10V | 5 years |
| 6011BL-1212*301-xxW-S-TCP | 30W/35W/40W | 0.44A | | | | | | | |
| 6031BL-1212*603-xxW-S-TCP | 30W/35W/40W | 0.44A | | | | | | | |
| 6031BL-1212*603-xxW-S-TCP | 30W/40W/50W | 0.55A | | | | | | | |
| 6031BL-1212*603-xxW-P-TCP | 30W/35W/40W | 0.44A | | | | | | | |
| 6011bl-1212*301-xxW-P-TCP | 30W/35W/40W | 0.44A | AC100-277V | 125lm/W | | | | | |
| 6031BL-1212*603-xxW-P-TCP | 30W/35W/40W | 0.44A | | | | | | | |
| 6031BL-1212*603-xxW-P-TCP | 30W/40W/50W | 0.55A | | | | | | | |
| 6020BL-603*603-xxW-S-347-TCP | 30W/35W/40W | 0.44A | AC100-347V | 110lm/W | | | | | |
| 6011BL-1212*301-xxW-S-347-TCP | 30W/35W/40W | 0.44A | | | | | | | |
| 6031BL-1212*603-xxW-S-347-TCP | 30W/35W/40W | 0.44A | | | | | | | |
| 6031BL-1212*603-xxW-S-347-TCP | 30W/40W/50W | 0.55A | | | | | | | |
| 6020BL-603*603-xxW-P-347-TCP | 30W/35W/40W | 0.44A | AC100-347V | 125lm/W | | | | | |
| 6011BL-1212*301-xxW-P-347-TCP | 30W/35W/40W | 0.44A | | | | | | | |
| 6031BL-1212*603-xxW-P-347-TCP | 30W/35W/40W | 0.44A | | | | | | | |
| 6031BL-1212*603-xxW-P-347-TCP | 30W/40W/50W | 0.55A | | | | | | | |

Note: Above is the normal parameters, the following functions can be achieved according to customers requests.

1.UGR<19

2.Emergency panel light: emergency power is 4-20W, emergency time is 1.5-2h, for all the above specifications.

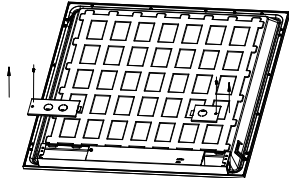
Product Dimension



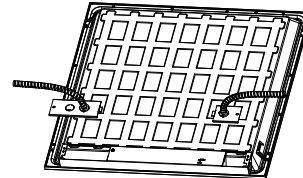
Installation Instruction



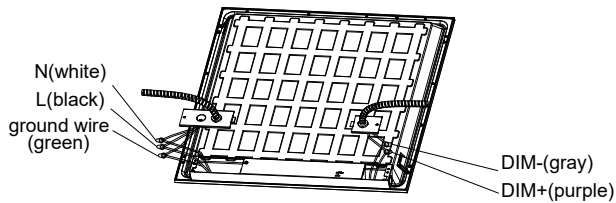
1. Unscrew the driver cover.



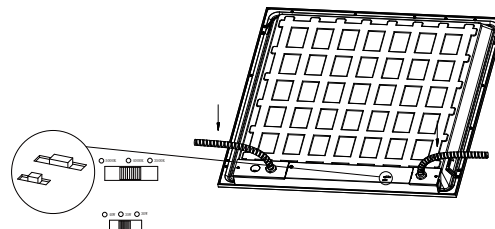
2. Connect the conduit to the driver box.



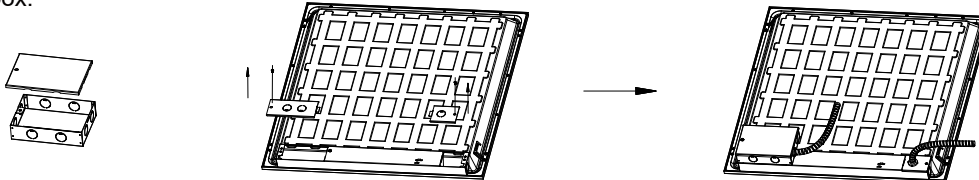
3. Connect other wires separately.



4. Put back the driver cover and fix it by screw.



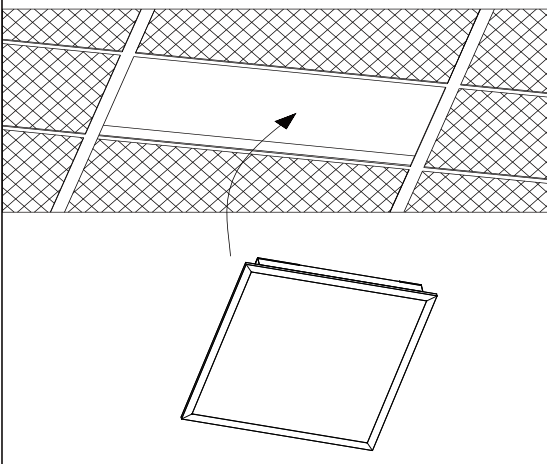
* Optional accessories
If there are more wires, you can choose to use enlarged junction box.



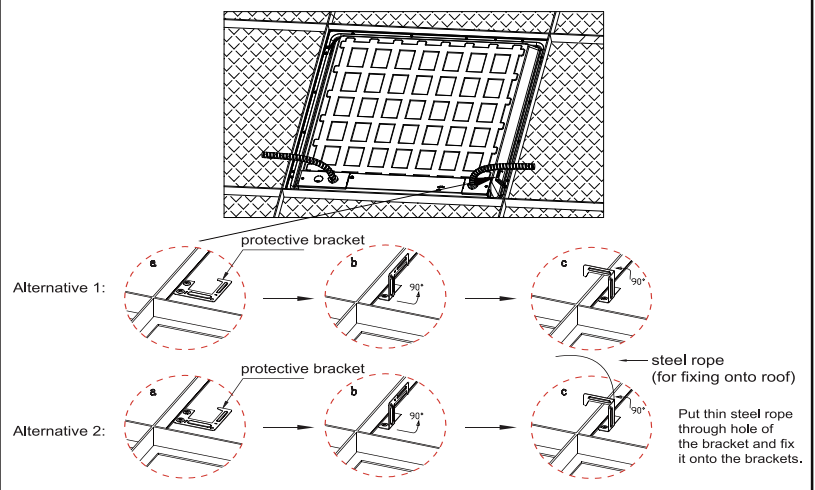
Recessed Installation



1. Replace existing lighting fixture from ceiling with LED Panel.



2. Use the protective brackets for the sake of safety.



Packing/Weight



| Part NO. | Outer Carton Size (L*W*H) | Qty/Carton (pcs) | Net weight (kg/lbs) | Gross weight (kg/lbs) |
|-----------------|--|------------------|---------------------|-----------------------|
| 6020BL-603*603 | 25.1''*9.06''*25.39'' 638*232*643mm | 4 | 7.6/16.7 | 8.9/19.6 |
| 6011BL-1212*301 | 49.09''*9.06''*13.39'' 1247*232*340mm | 4 | 8.0/17.6 | 9.7/21.4 |
| 6031BL-1212*603 | 49.09''*9.06''*25.39'' 1247*232*643mm | 4 | 14.8/32.6 | 17.1/37.6 |

Package Diagram



Applications



Warning



- * Make sure the distances between live part and metal part of LED panel can satisfy reinforced or double insulation.
- * The luminaire should only be installed by a qualified electrician.
- * Before installation and maintenance of the LED panel, please disconnect the power to prevent electric shock.
- * Before installation and maintenance, LED panel must be operated by professional and technical personnel, non-professionals do not to remove the light .
- * The LED panel must be installed in an appropriate environment to work. In harsh environments may shorten the life or even damage the light .
- * For type Y attachments: If the external flexible cable or cord of this luminaire is damaged, it shall be exclusively replaced by the manufacturer or his service agent or a similar qualified person in order to avoid a hazard.



LED TRAIL

Save Energy | Save Money™