

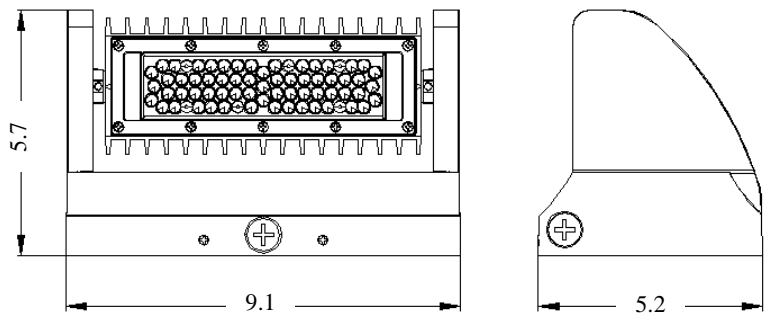


NAME: SunRiver Adjustable LED Wall Pack Light

P/N : 48060-AT1N

Advantage:

- UL cUL
- IP65 Internal driver,
Input voltage 100-277VAC
- No UV or IR in the beam
- Easy to install and operate
- Energy saving, long lifespan
- Instant start, NO humming
- Green and eco-friendly without mercury.



Application:

- ◆ Entrance lighting, courtyard lighting
- ◆ Industrial lighting, Outdoor landscape lighting;
- ◆ Commercial Building, hotel;
- ◆ Wall lighting area and so on.

Product Specifications

Product name	SunRiver Adjustable LED Wall Pack Light
Part No	48060-AT1N
Dimension	9.1 x 5.2 x 5.7 inches

Technical Characteristic

Color temperature	4000K、5000K、5700K
CRI	>70
Lumen	7200-7800LM
Lumen Efficacy	120-130LM/W
Input Power	60W
Viewing Angle	60°
Input Voltage	100-277VAC 50/60Hz
PF	>0.9
Waterproof Rating	IP65

Materials

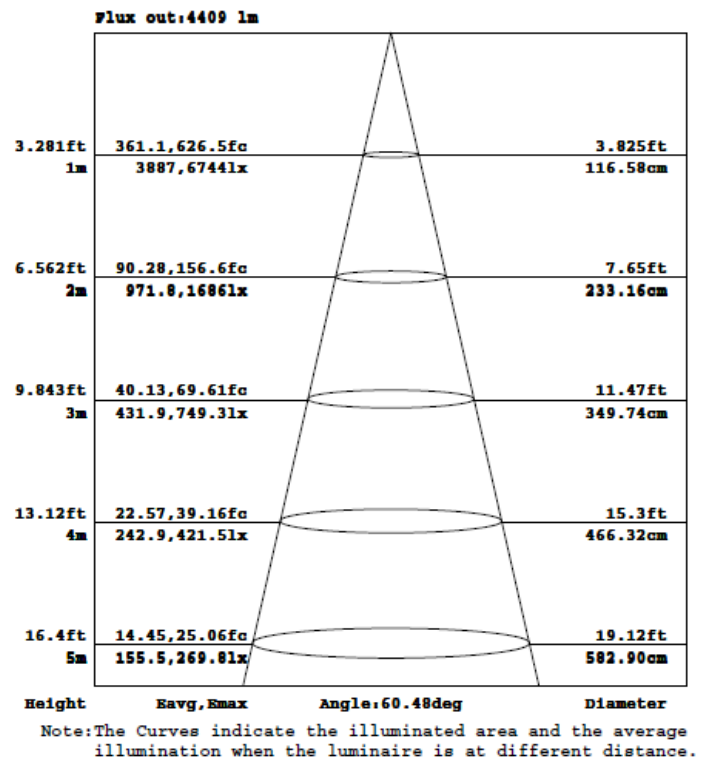
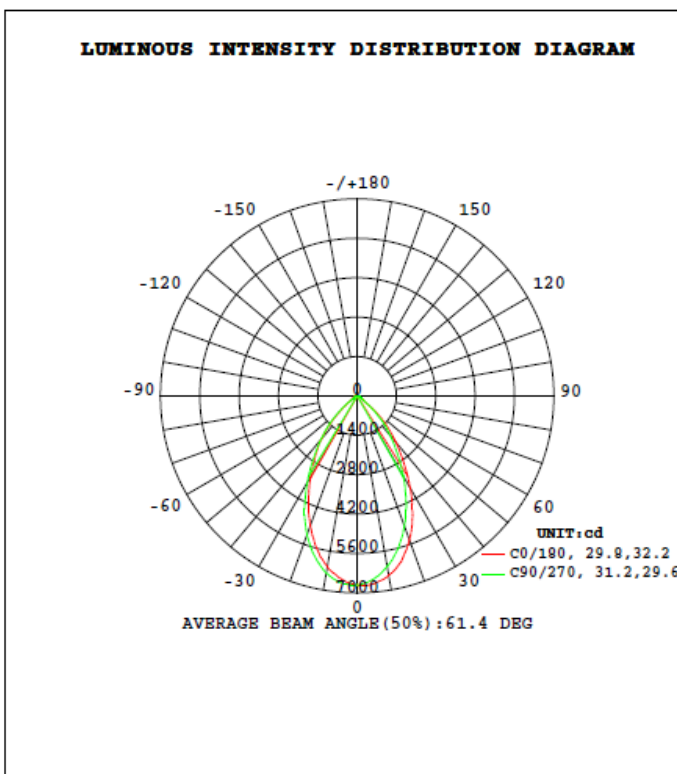
LED Brand	PHILIPS LUMILEDS
LED Type	LUXEON 3030 2D
LED QTY	63 PCS
Housing	Aluminum
Housing color	Black

Others

Operating Temperature	-20°C TO 45°C
Operating Humidity	20%-90% RH
Storage Temperature	-30°C TO 80°C
Storage Humidity	10%-95%
Application	Indoor / Outdoor
Safety Certification	UL、cUL
Warranty Time	5 Years

Light Distribution Testing Parameters

DATA OF LAMP		PHOTOMETRIC DATA Eff: 124.22 lm/W			
MODE		I _{max} (cd)	6744	S/MH (C0/180)	0.87
NOMINAL POWER (W)	60	LOR (%)	100.0	S/MH (C90/270)	0.92
RATED VOLTAGE (V)	120	TOTAL FLUX (lm)	7475.1	η UP, DN (C0-180)	0.1, 49.2
NOMINAL FLUX (lm)	7475.12	CIE CLASS	DIRECT	η UP, DN (C180-360)	0.1, 50.6
LAMPS INSIDE	1	η up (%)	0.2	CIBSE SHR NOM	0.75
TEST VOLTAGE (V)	120.0	η down (%)	99.8	CIBSE SHR MAX	0.95



Notice For User

- ◆ Please turn off power before installing or changing assembly parts.
- ◆ The input voltage and the lamp's should be matched. After connecting the power line, please make sure the wiring section is insulated.
- ◆ Non-professionals must not install or disassemble the lamps.
- ◆ LED lights provide exceptional efficiency and performance. To maintain light longevity it is important to turn LED lights off to cool down. Please do not keep LED lights on for more than 14 continuous hours. Keep our planet green by using LED lighting.

Trouble Shooting

Trouble	Check points
Flickering light	Turn off the power and turn on again in 3 minutes. If same phenomena occurs, then call customer service
Not working	Please check the connection