



# LED TRAIL

Save Energy | Save Money™

Level 2 Charging Station  
Dual Connector

## ACLF22100

22kW

100 amps

ISO 15118



Adjustable Amperage delivering up to 22kW 100 amps to any EV

### Features

- ✔ **Compatibility:** Dual Connector J1772 ( Type 1) that can charge any vehicle on the road.
- ✔ **Compact design:** Easy installation, wall mounted, or pole mounted.
- ✔ **Safe and Reliable:** Meeting the stringent requirements of the nation's leading safety standards organization.
- ✔ **Hardware:** ACLKF22100 charging stations are rugged waterproof IP54 rated they can be installed outdoors or indoors, and are built to withstand the elements.
- ✔ **OCPP Networked Charging:** Receive automatic updates that deliver the latest improvements and features. Remotely monitor, manage multiple charging sites in one place, and configure stations. You can also get real-time station information, and track the charging status of all vehicles.

# Specifications

# ACLF22100

## Input Cord

## Nema 14-50

AC Power Input Rating

208/240V AC 50/60Hz

SAE standard

AC Level 2

AC Power Output Rating (Adjustable)

22kW / 100A

Required Service Panel  
Breaker

Dedicated Dual Pole  
120A

Power Wiring  
Connector Type

3 Wire – L1,L2 plus ground  
Dual Connetor SAE J1772 (Type 1)

## User Interface & Control

Charging Control

Plug & Play or RFID Card

Indicators

Diode Strip Light

External Communication

4G, Wi-Fi, Ethernet

OCPP Protocol

OCPP 1.6J

## Safety and Operational Ratings

Storage Temperature

-40 to 75°C (-40 to 167°F) ambient

Operating Temperature

-30 to 55°C (-22 to 131°F) ambient

Operating Humidity

Up to 95% non-condensing

Cooling Method

Natural Cooling

## Protection

Electrical Enclosure

Type4

CCID 20

Yes

Over Voltage Protection

Yes

Under Voltage Protection

Yes

Over Load Protection

Yes

Short Circuit Protection

Yes

Earth Leakage Protection

Yes

Ground Protection

Yes

Over-Temp Protection

Yes

Surge Protection

Yes

## Mechanical

Dimension (HxWxD)

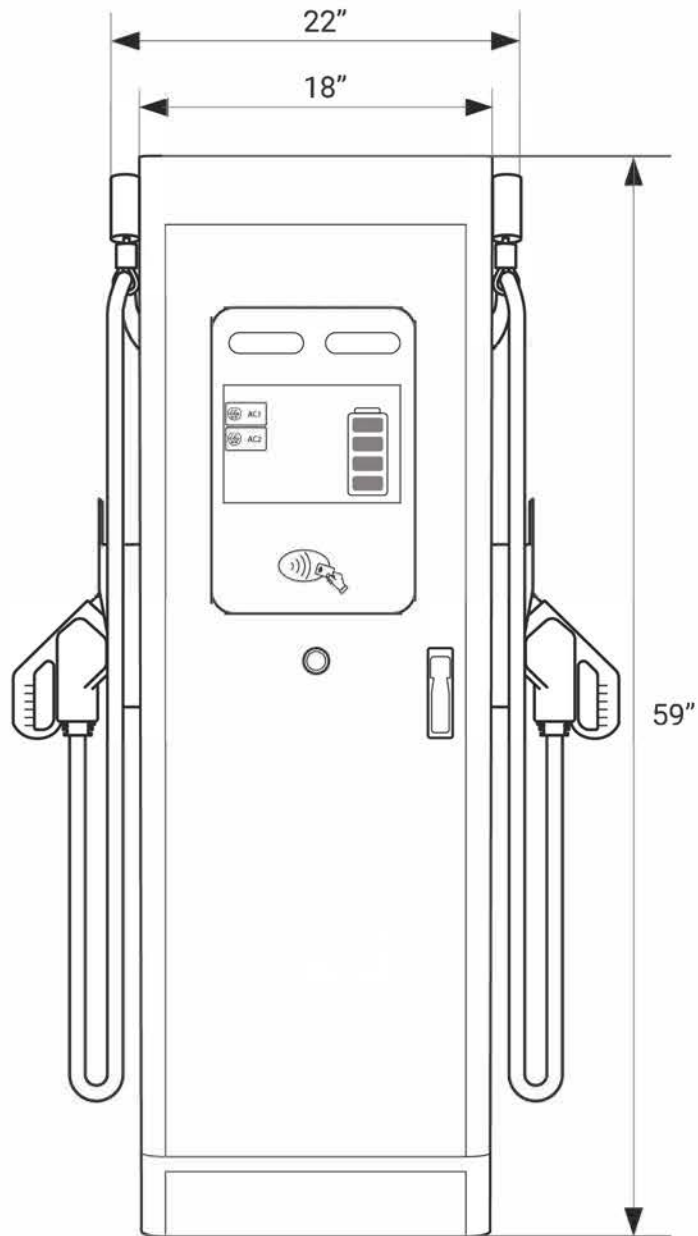
59 x 18 x 8 inch

# ACLF22100



SKU : 10225

# ACLF22100



SKU : 10225